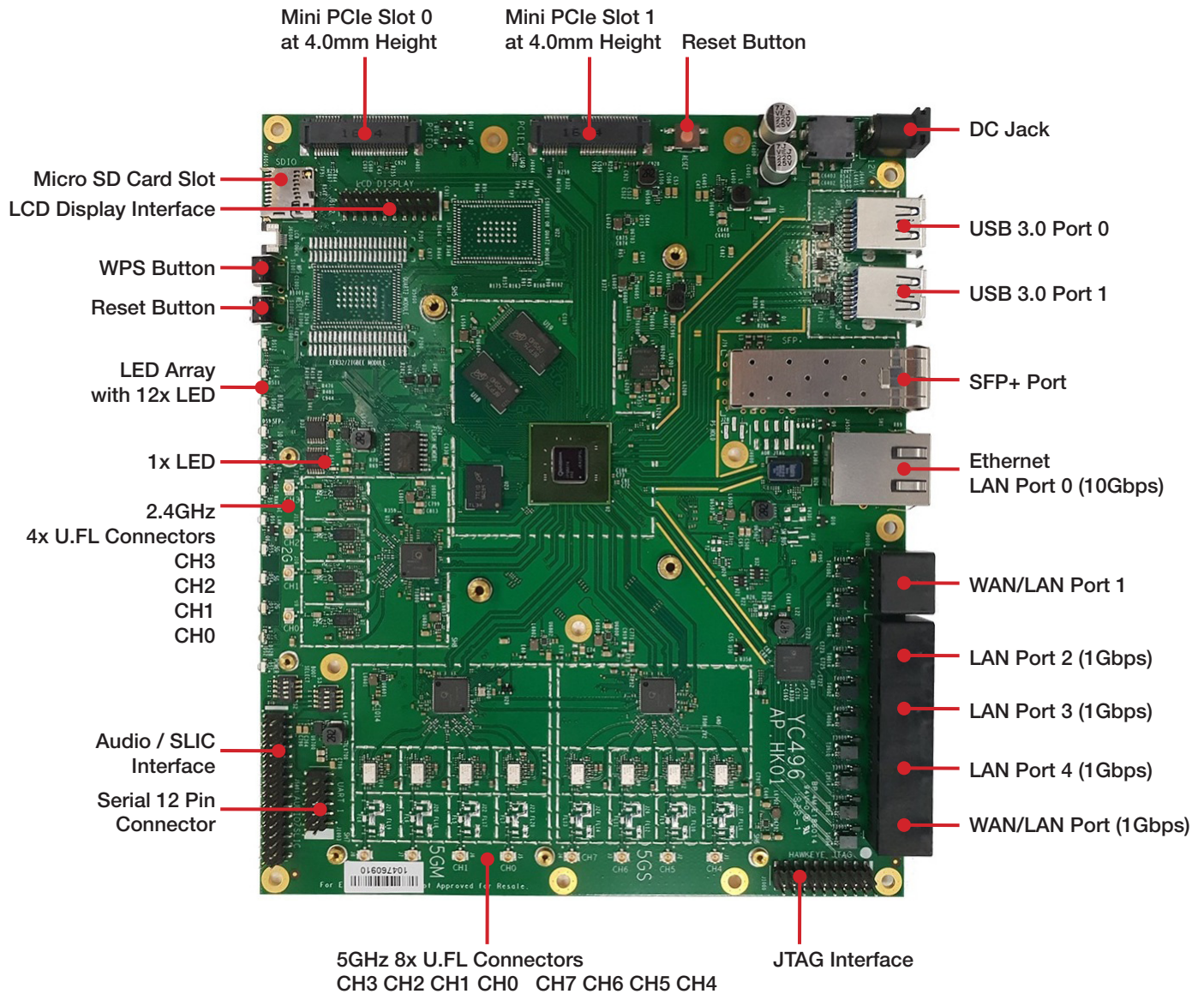


Component and Connector Map



Power Requirements

Power Over Ethernet	No
DC Power	1x DC Jack Connector : 12V, 5A
Power Consumption	TBD

Serial Port Pin Assignment

SERIAL Interface (J1003)			
Pin	Signal	Pin	Signal
1	DVDD_3V3	2	DVDD_3V3
3	UART_RXD1	4	NC
5	UART_RTS1	6	NC
7	UART_CTS1	8	NC
9	UART_TXD1	10	NC
11	GND	12	GND

JTAG Interface Pin Assignment

JTAG Interface (J1000)			
Pin	Signal	Pin	Signal
1	DVDD_1V8	2	DVDD_1V8
3	JTAG_TRSTN	4	NC
5	JTAG_TDI	6	GND
7	JTAG_TMS	8	GND
9	JTAG_TCK	10	GND
11	PULL_UP_1V8	12	GND
13	JTAG_TDO	14	GND
15	JTAG_SRSTN	16	GND
17	GND	18	GND
19	GND	20	GND

LCD Display Interface Pin Assignment

LCD Display Interface (J6102)			
Pin	Signal	Pin	Signal
1	GND	2	DVDD_3V3
3	LCD_CS	4	NC
5	LCD_OE_N	6	LCD_WE_N
7	LCD_RS_N	8	LCD_TE
9	LCD_DATA[0] (QPIC_DATA)	10	LCD_DATA[1] (QPIC_DATA)
11	LCD_DATA[2] (QPIC_DATA)	12	LCD_DATA[3] (QPIC_DATA)
13	LCD_DATA[4] (QPIC_DATA)	14	LCD_DATA[5] (QPIC_DATA)
15	LCD_DATA[6] (QPIC_DATA)	16	LCD_DATA[7] (QPIC_DATA)
17	LCD_DATA[8] (QPIC_DATA)	18	NC
19	NC	20	NC

AUDIO & SLIC/DECT Pin Assignment

AUDIO & SLIC/DECT Interface (J5801)			
Pin	Signal	Pin	Signal
1	12V_IN	2	DVDD_3V3
3	AUDIO_TXBCLK	4	AUDIO_TXMCLK
5	PCM_FSYNC	6	SLIC_RSTN (PCIE1_WAKE)
7	PCM_PCLK	8	PCM_TX
9	PCM_RX	10	GND
11	GND	12	SLIC_CS
13	NC	14	SPI2_CLK
15	SPI2_MISO	16	GND
17	SLIC_INT (SDC_ DETECT)	18	SPI2_MOSI
19	12V_IN	20	AUDIO_TXFSYNC
21	I2C_CLK	22	AUDIO_RXMCLK
23	I2C_DATA	24	AUDIO_RXBCLK
25	UART2_TXD	26	AUDIO_RXFSYNC
27	UART2_RXD	28	AUDIO_RXD
29	GND	30	AUDIO_TXD

USB0 Port Pin Assignment

USB0 Port (J81)			
Pin	Signal	Pin	Signal
1	DVDD_5V0_UDB2	2	USB0_HSDM
3	USB0_HSDP	4	GND
5	USB0_SS_RX_N	6	USB0_SS_RX_P
7	GND	8	CONN_USB0_SS_ TX_N
9	CONN_USB0_SS_ TX_P	10	GND
11	GND		

USB1 Port Pin Assignment

USB1 Port (J80)			
Pin	Signal	Pin	Signal
1	DVDD_5V0_UDB1	2	USB1_HSDM
3	USB1_HSDP	4	GND
5	USB1_SS_RX_N	6	USB1_SS_RX_P
7	GND	8	CONN_USB1_SS_ TX_N
9	CONN_USB1_SS_ TX_P	10	GND
11	GND		

SFP Port Pin Assignment

SFP Port (J79)			
Pin	Signal	Pin	Signal
1	GND	11	GND
2	SFP_TX_FAULT	12	USXGMII-0_RXN_SFP
3	SFP_TX_DIS	13	USXGMII-0_RXP_SFP
4	NC	14	GND
5	NC	15	SFP_VCCR (DVDD_3V3)
6	MOD_ABS	16	SFP_VCCT (DVDD_3V3)
7	SFP_RATESEL	17	GND
8	SFP_RX_LOS	18	USXGMII-0_TXP_SFP
9	GND	19	USXGMII-0_TXN_SFP
10	GND	20	GND

LED Assignment

LED Array		
Location	Signal	Voltage
DS1	POWER	DVDD_3V3
DS2	RECEIVED	RECEIVED
DS3	LED_2G	DVDD_3V3
DS4	LED_5GL	DVDD_3V3
DS5	LED_5GH	DVDD_3V3
DS6	LAN_LED	DVDD_3V3
DS7	WAN_LED	DVDD_3V3
DS8	10G_LEDLINK	DVDD_3V3
DS9	SFP_LED	DVDD_3V3
DS10	BT_LED	DVDD_3V3
DS11	15.4_LED	DVDD_3V3
DS12	UNUSED_LED	DVDD_3V3
LED DS13		
Location	Signal	Voltage
DS13	BOOT_STATUS	DVDD_3V3

miniPCIe0 Slot Pin Assignment

miniPCIe0 Slot (J4801)			
Pin	Signal	Pin	Signal
1	NC	2	DVDD_3V3
3	PWRDN_PCIE0	4	GND
5	NC	6	NC
7	NC	8	NC
9	GND	10	NC
11	PCIE0_REFCLK_N	12	NC
13	PCIE0_REFCLK_P	14	NC
15	GND	16	NC
Mechanical key			
17	NC	18	GND
19	NC	20	NC
21	GND	22	PCIE0_PERST_L
23	PCIE0_RX_N	24	DVDD_3V3
25	PCIE0_RX_P	26	GND
27	GND	28	NC
29	GND	30	NC
31	PCIE0_TX_N	32	NC
33	PCIE0_TX_P	34	GND
35	GND	36	NC
37	GND	38	NC
39	DVDD_3V3	40	GND
41	DVDD_3V3	42	NC
43	NC	44	CON_PCIE0_LED
45	VDD_5V0_PCIE	46	NC
47	VDD_5V0_PCIE	48	NC
49	VDD_5V0_PCIE	50	GND
51	VDD_5V0_PCIE	52	DVDD_3V3

miniPCIe1 Slot Pin Assignment

miniPCIe1 Slot (J4044)			
Pin	Signal	Pin	Signal
1	NC	2	DVDD_3V3
3	PWRDN_PCIE1	4	GND
5	NC	6	NC
7	NC	8	NC
9	GND	10	NC
11	PCIE1_REFCLK_N	12	NC
13	PCIE1_REFCLK_P	14	NC
15	GND	16	NC
Mechanical key			
17	NC	18	GND
19	NC	20	NC
21	GND	22	PCIE1_PERST_L
23	PCIE1_RX_N	24	DVDD_3V3
25	PCIE1_RX_P	26	GND
27	GND	28	NC
29	GND	30	NC
31	PCIE1_TX_N	32	NC
33	PCIE1_TX_P	34	GND
35	GND	36	NC
37	GND	38	NC
39	DVDD_3V3	40	GND
41	DVDD_3V3	42	NC
43	NC	44	CON_PCIE1_LED
45	VDD_5V0_PCIE	46	NC
47	VDD_5V0_PCIE	48	NC
49	VDD_5V0_PCIE	50	GND
51	VDD_5V0_PCIE	52	DVDD_3V3

GPIO Pin Mapping

GPIO Pin Mapping			
Pin	Signal	Pin	Signal
GPIO_0	LCD_TE	GPIO_1	QPIC_BUSY_N
GPIO_2	LCD_RS_N	GPIO_3	QPIC_WE_N
GPIO_4	QPIC_OE_N	GPIO_5	QPIC_DATA
GPIO_6	QPIC_DATA	GPIO_7	QPIC_DATA
GPIO_8	QPIC_DATA	GPIO_9	CS_CSR_LCD
GPIO_10	QPIC_CLE	GPIO_11	QPIC_NAND_CS_N
GPIO_12	QPIC_DATA	GPIO_13	QPIC_DATA
GPIO_14	QPIC_DATA	GPIO_15	QPIC_DATA
GPIO_16	QPIC_DATA	GPIO_17	QPIC_ALE
GPIO_18	LED_CLK	GPIO_19	LED_DATA
GPIO_20	LED_CLR	GPIO_21	SDC_PWR_EN
GPIO_22	CS_QTZ_SLIC	GPIO_23	UART1_RXD
GPIO_24	UART1_TXD	GPIO_25	AUDIO_TXMCLK
GPIO_26	AUDIO_TXBCLK	GPIO_27	AUDIO_TXFSYNC
GPIO_28	AUDIO_TXD	GPIO_29	AUDIO_RXMCLK
GPIO_30	AUDIO_RXBCLK	GPIO_31	AUDIO_RXFSYNC
GPIO_32	AUDIO_RXD	GPIO_33	PCM_RX
GPIO_34	PCM_TX	GPIO_35	PCM_FSYNC
GPIO_36	PCM_PCLK	GPIO_37	MALIBU_RESET
GPIO_38	SPI0_CLK	GPIO_39	SPI0_CS
GPIO_40	SPI0_MISO	GPIO_41	SPI0_MOSI
GPIO_42	I2C_CLK	GPIO_43	I2C_DATA
GPIO_44	UART2_RXD	GPIO_45	UART2_TXD
GPIO_46	IOT_UART_RTS	GPIO_47	IOT_UART_CTS
GPIO_48	IOT_UART_RX	GPIO_49	IOT_UART_TX
GPIO_50	SPI2_CLK	GPIO_51	CS_ZB_EFR32
GPIO_52	SPI2_MISO	GPIO_53	SPI2_MOSI
GPIO_54	PTA2_0	GPIO_55	PTA2_1
GPIO_56	PTA2_2	GPIO_57	WPS_L
GPIO_58	PCIE0_RST_N	GPIO_59	PCIE0_WAKE
GPIO_60	PCIE1_CLK_REQ_N	GPIO_61	PCIE1_RST_N
GPIO_62	PCIE1_WAKE	GPIO_63	SDC_DETECT
GPIO_64	PTA1_1	GPIO_65	PTA1_2

SDIO Slot Pin Assignment

SDIO Slot (J6000)			
Pin	Signal	Pin	Signal
1	SDIO_SDCC0_DAT2	8	SDIO_SDCC0_DAT0
2	SDIO_SDCC0_DAT3/CD	9	SDC_DETECT
3	SDIO_SDC2_CMD	10	SDC1_WP
4	VDD_SDC_3V	11	GND
5	SDIO_SDC2_CLK	12	GND
6	GND	13	GND
7	SDIO_SDCC0_DAT1	14	GND

Ethernet LAN Port 0 Pin Assignment

Ethernet LAN Port 0 (RJ45 J4500 10Gbps)			
Pin	Signal	Pin	Signal
1	AQ_MD_B_CT	2	AQ_MD_B_P
3	AQ_MD_B_N	4	AQ_MD_C_N
5	AQ_MD_C_P	6	AQ_MD_C_CT
7	AQ_MD_A_CT	8	AQ_MD_A_P
9	AQ_MD_A_N	10	AQ_MD_D_P
11	AQ_MD_D_N	12	AQ_MD_D_CT
14	AQ_LED_LINK	13	AQ_LED1_G
16	AQ_LED_ACT	15	NC
18	GND	17	AQ_LED2_G
		19	GND

Ethernet LAN Port 1 Pin Assignment

Ethernet LAN Port1 (RJ45 J9000 1000M)	
Pin	Signal
1	CH4_PXP0
2	CH4_PXN0
3	CH4_PXP1
4	CH4_PXP2
5	CH4_PXN2
6	CH4_PXN1
7	CH4_PXP3
8	CH4_PXN3

RJ45 J17 1000M Pin Assignment

Ethernet LAN Port 2		Ethernet LAN Port 4	
Pin	Signal	Pin	Signal
1	CH3_PXP0	17	CH1_PXP0
2	CH3_PXN0	18	CH1_PXN0
3	CH3_PXN1	19	CH1_PXN1
4	CH3_PXP2	20	CH1_PXP2
5	CH3_PXN2	21	CH1_PXN2
6	CH3_PXP1	22	CH1_PXP1
7	CH3_PXP3	23	CH1_PXP3
8	CH3_PXN3	24	CH1_PXN3
Ethernet LAN Port 3		WAN / LAN Port	
Pin	Signal	Pin	Signal
9	CH2_PXP0	25	CH0_PXP0
10	CH2_PXN0	26	CH0_PXN0
11	CH2_PXN1	27	CH0_PXN1
12	CH2_PXP2	28	CH0_PXP2
13	CH2_PXN2	29	CH0_PXN2
14	CH2_PXP1	30	CH0_PXP1
15	CH2_PXP3	31	CH0_PXP3
16	CH2_PXN3	32	CH4_PXN3